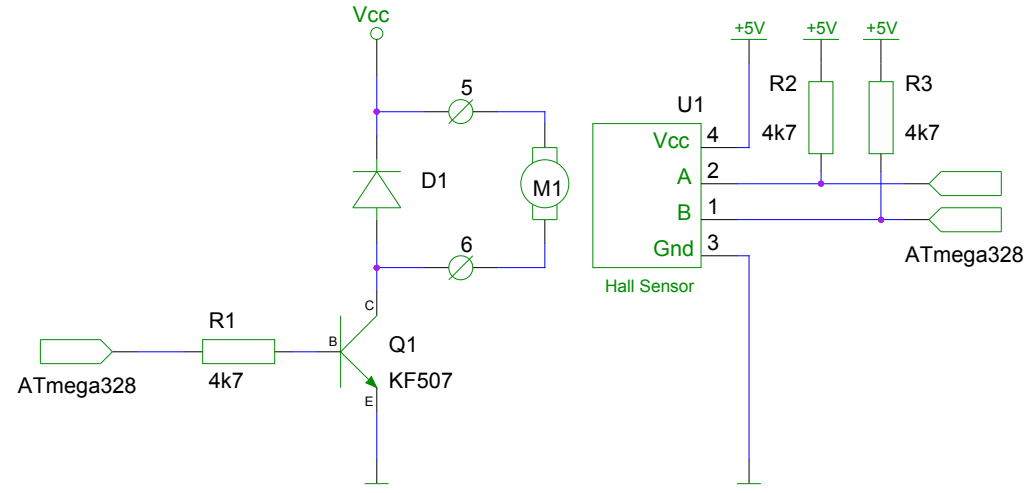


**Wire Colour**

- 1 Orange
- 2 White
- 3 Black
- 4 White
- 5 Red
- 6 Black

**Connection**

- Hall Sensor B Vout
- Hall sensor A Vout
- Hall sensor ground
- Hall sensor Vcc (+5V)
- + Motor
- + Motor



**Motor EMG03 with Hall Sensor connection**

TITLE		REVISION: 2. 12. 2012	
FILE: motorCircuit.sch	PAGE 1		OF 1
DRAWN BY: Richard Balogh			