



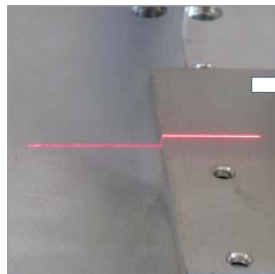
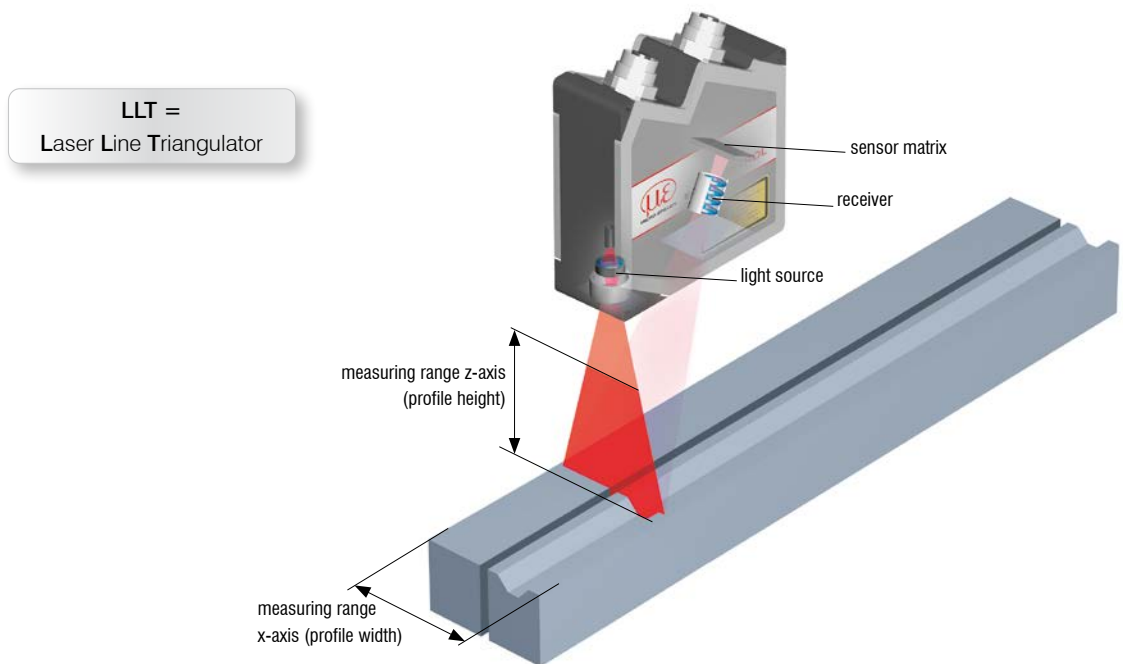
# More Precision

**scanCONTROL** // 2D/3D laser scanner (laser profile sensors)

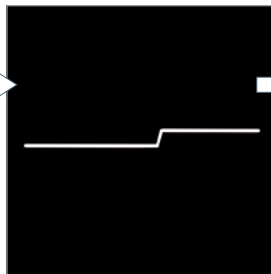


**NEW****LLT29xx-10/BL**

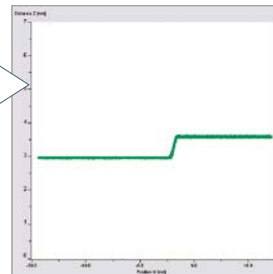
- Measuring range 10mm
- 1280 points/profile
- Point distance  $7.8\mu\text{m}$
- Reference resolution  $1\mu\text{m}$



**Laser line**  
Projecting a laser line onto the target surface



**Sensor matrix (pixels)**  
The diffusely reflected light from the laser line is shown on the high quality sensor matrix



**Calibrated x/z measuring points**  
Calculation of the distance coordinate z and the actual position x along the laser line for each measuring point

**What are laser scanners?**

Laser scanners from the LLT series record, measure and evaluate profiles on a variety of different target surfaces. With its scanCONTROL/gapCONTROL series, Micro-Epsilon offers from the pre-configured sensors to the complex measuring systems all from a single source.

**The measuring principle**




Laser scanners - often referred to as profile sensors - use the laser triangulation principle for two-dimensional profile detection on different target surfaces. By using special lenses, a laser beam is enlarged to form a static laser line and is projected onto the target surface. The optical system projects the diffusely reflected light of this laser line onto a highly sensitive sensor matrix. In addition to distance information (z-axis), the controller also uses this camera image to calculate the position along the laser line (x-axis). These measured values are then output in a two-dimensional coordinate system that is fixed with respect to the sensor. In the case of moving objects or a traversing sensor, it is therefore possible to obtain 3D measurement values.

**Customer evaluation**

These models provide calibrated profile data which can be further processed on a PC using a customer software evaluation.

**Integrated evaluation**

These models provide selected measurement values. The parameter set up for the sensors and the measurement programs is stored in the controller.

	<b>COMPACT</b> Laser scanners for common measurement tasks	<b>HIGHSPEED</b> Laser scanners with fast profile frequency	<b>SMART</b> Laser scanners with comprehensive software	<b>GAP</b> Laser scanners with software specifically developed for gap measurements
 <p><b>LLT26xx</b> 640 points/profile Profile frequency Standard up to 300Hz High speed up to 4000Hz</p>	<b>scanCONTROL 2600</b> ▶ Page 10	<b>scanCONTROL 2650</b> ▶ Page 10	<b>scanCONTROL 2610</b> ▶ Page 10	<b>gapCONTROL 2611</b> ▶ Page 10
 <p><b>LLT27xx</b> 640 points/profile Profile frequency Standard up to 100Hz High speed up to 4000Hz Large offset distance</p>	<b>scanCONTROL 2700</b> ▶ Page 18	<b>scanCONTROL 2750</b> ▶ Page 18	<b>scanCONTROL 2710</b> ▶ Page 18	<b>gapCONTROL 2711</b> ▶ Page 18
 <p><b>LLT29xx</b> 1280 points/profile Profile frequency Standard up to 300Hz High speed up to 2000Hz Available with red or blue diode</p>	<b>scanCONTROL 2900</b> ▶ Page 12	<b>scanCONTROL 2950</b> ▶ Page 12	<b>scanCONTROL 2910</b> ▶ Page 12	<b>gapCONTROL 2911</b> ▶ Page 12
	Integration: SDK including example programs in C, C++, C#; implementation for Linux und LabVIEW available ▶ Page 34		Evaluation: <b>scanCONTROL Configuration Tools</b> ▶ Page 28	Evaluation: <b>gapCONTROL Setup Software</b> ▶ Page 30

## Transmission of **calibrated profile data**

### COMPACT

The COMPACT sensors are used for providing calibrated profile data for external profile analysis, for example, on a PC. They are suitable for static and dynamic measurements.

An Ethernet interface allows the user to configure the sensor via a PC application, as well as to transmit profile data. More details about the software interface can be found in the "Integrating scanCONTROL in application software" chapter.

### HIGHSPEED

The HIGHSPEED models are also used to transmit the calibrated profile data. With a profile frequency of up to 4000Hz, these sensors offer everything for advanced high speed and 3D applications.

Parameter set up via customer software application



Individual further processing of calibrated profile data

## Measurement data output

### SMART

The scanCONTROL SMART series offers plug & play solutions for simple-to-complex measurement tasks, eliminating the need for any external controller or PC.

Set up and configuration of the sensor is carried out via the scanCONTROL Configuration Tools PC software, which enables the measurement of steps, angles, seams and grooves. The parameter sets are stored in the sensor which is why the sensor autonomously performs measurements without requiring any external control devices or PCs.

### GAP

The GAP class offers a plug & play solution especially for gap measurements. The gapCONTROL Setup Software enables the necessary set up and configuration for different gap types and to store them in the sensor.

Parameter set up via Configuration Tools/ gapCONTROL Setup Software



Profile analysis in the controller, transmission of measured values

## Advanced technology

- Up to 1280 points per profile
- Measurement frequency up to 4000 profiles/sec.
- Compact size
- Integrated evaluation without any external controller or IPC
- Factory calibration for metals
- Made / Developed in Germany
- Numerous references worldwide
- Proven high operational safety in the 24/7 operation over many years
- Real Time Surface Compensation

## Different laser types

- 2M class (red)
- 3B class (red)
- Blue Laser



## Universal application

- Inline measurement of gap, profile, step, angle, ...
- Provides 3D information and images for image processing
- Profile transmission or measurement data output
- Robust: for use in processing lines and laboratories
- Also suitable for use with robotic applications
- Multi scanner applications
- Versions for integrators and end users



## Interfaces

- Gigabit Ethernet (GigE Vision)
- Trigger and encoder input
- Output Unit for analogue output and switch signals
- Power over Ethernet (PoE) - only one cable
- Secure measurement data output via Modbus
- Fast measurement data output via UDP
- Direct communication using PLC

## Comprehensive software

- SMART and GAP classes:
  - Analysis and evaluation directly in the sensor head
- Configuration software provides ease of use
- Libraries for C, C++, C#
- LabVIEW driver
- Linux implementation
- Free software, libraries and firmware updates

## Real Time Surface Compensation: Dynamic adaption to rapidly changing surfaces

Laser profile scanners use the diffusely reflected laser light. The intensity of reflection is (highly) dependent on the surface properties like color, shininess and light absorption of the measurement target.

The Real Time Surface Compensation feature of the sensors permits reliable measurements of constantly changing surface conditions. Real time adaption of exposure time and the threshold of reflection detection enable you to get stable measurement results in fast-changing measurement situations without having to adapt the sensor settings manually.

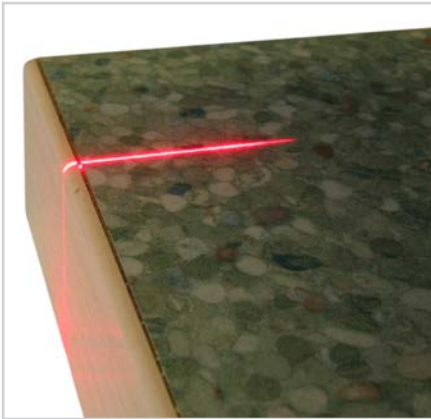


## scanCONTROL / gapCONTROL

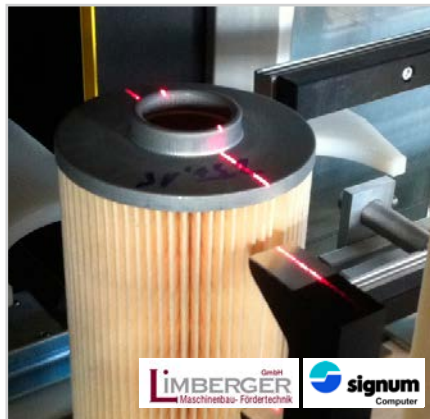
### Sensor, solution and system from a single source

Micro-Epsilon has many years' experience in integrating highly efficient laser line sensors to customer applications and in supplying complete systems from a single source.

LLT sensors are adapted to a variety of common applications in quality control, production processes and automation.



Defect recognition on worktops



Filter height in the automotive industry



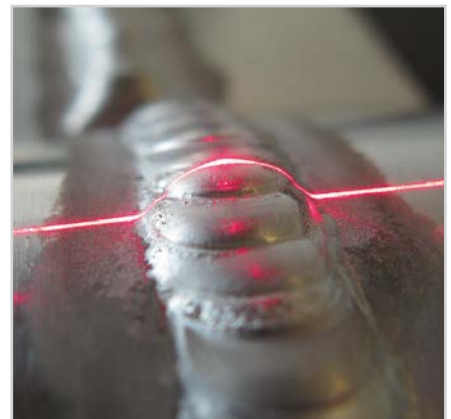
V-gap measurement on pipes



Gap measurement on a car body



Profile measurements on brake disks



Measuring weld seam profiles



Tyre inspection



Distance measurement at the centre console



Inspection of the adhesive beading

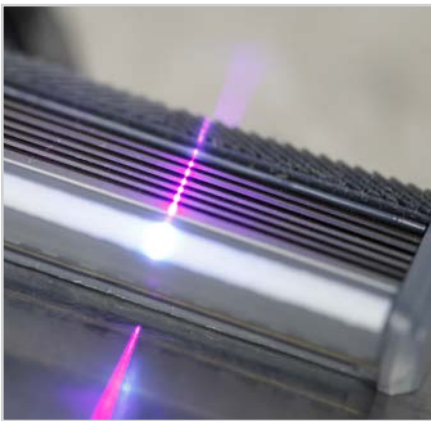


## scanCONTROL / gapCONTROL BL

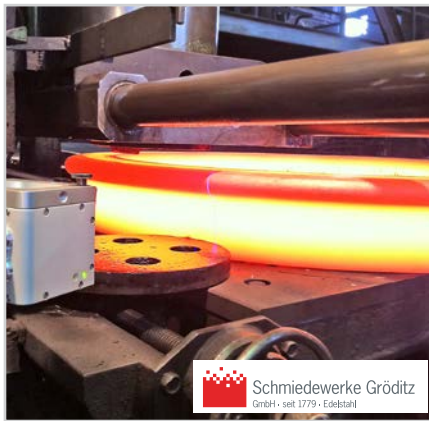
The laser scanners with blue laser line are used for multi-dimensional measurement on red-hot glowing metals as well as on transparent and organic materials. While allowing higher stability, the blue laser light does not

penetrate the measurement object due to the shorter wavelength of the blue-violet laser. Compared to red lasers, blue laser sensors enable more reliable measurements on red-hot glowing and organic objects.

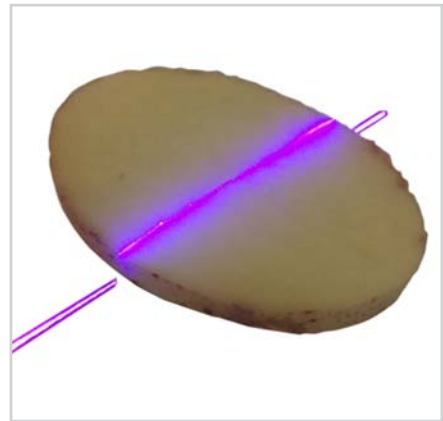
The high-focused, blue laser line enables furthermore to use laser scanners with 10mm line length in highest precision.



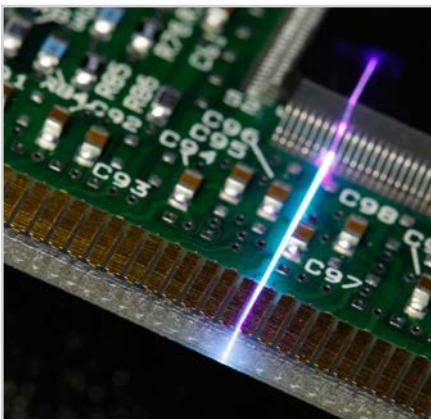
Blade angle of razors



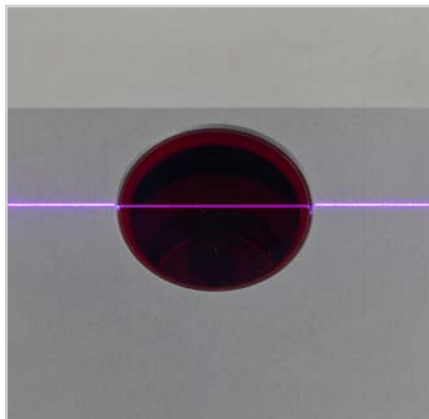
Production of steel-forged rings



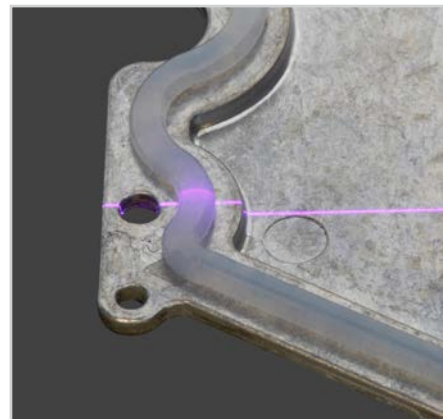
Thickness measurement of potato slices



Position of electronic components



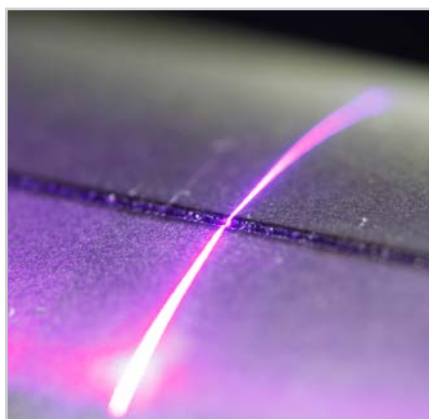
Gap measurement of inserted glass



Inspection of silicone adhesive beading



Measurement of hard/sliced cheese



Completeness of laser welding seams



Thermal tests



- z-axis measuring range up to 265mm
- x-axis measuring range up to 143.5mm
- Profile frequency up to 4,000Hz
- Measuring rate up to 2,560,000 points/sec
- z-axis reference resolution from 2µm
- Resolution x-axis up to 640 points

**Compact design suitable for all measurement tasks**

The design of the LLT 26xx series is focussed on compact size and low weight. The controller is integrated in the housing, simplifying cabling arrangements and mechanical integration. Due to its compact design and the profile frequency of up to 4000 profiles/sec., the 26xx series is especially suitable for dynamic and robotic applications.

**Interfaces for universal integration**

The multi-function port can be used for power supply, as data output, for switching parameters, as trigger input or for synchronizing several scanCONTROL sensors. During synchronous operation, an integrated mode can be used to operate the sensors alternately compensating for overlapping laser lines. One scanner is measuring whilst the other laser line is switched off.




The scanners can be supplied via Ethernet if necessary. If Industrial Ethernet is used as data output, only one cable will remain that connects the sensor to the periphery.

All SMART and GAP classes enable to transfer the measurement results via different output types: Ethernet (UDP, Modbus TCP), serial (ASCII, Modbus RTU) or using the Output Unit as analogue signal or digital switch signal.

**Article description structure**

LLT	26	00	-25	/SI
<p><b>Options</b>                  /SI = integrated laser switch-off                  /PT = integrated pigtail cable 0.25 m                  /3B = 3B laser class</p>				
<p><b>Measuring range</b>                  25mm                  50mm                  100mm</p>				
<p><b>Class</b>                  00=COMPACT                  10=SMART                  11=GAP                  50=HIGHSPEED</p>				
<p><b>Series</b>                  LLT26xx</p>				

**Options\***

/SI	Integrated laser switch-off	/PT	Pigtail cable
	Hardware switch-off of the laser line		0.25m long cable directly out of the sensor
	3B laser class		
	Improved laser power (20mW) e.g. for dark surfaces		

\*Options can be combined

Model		LLT	26xx-25	26xx-50	26xx-100
z-axis (height)	Standard measuring range	Start of measuring range	53.5mm	70mm	190mm
		Midrange	66mm	95mm	240mm
		End of measuring range	78.5mm	120mm	290mm
		Height of measuring range	25mm	50mm	100mm
	Extended measuring range	Start of measuring range	53mm	65mm	125mm
		End of measuring range	79mm	125mm	390mm
	Linearity <sup>1)</sup>	(2sigma)	±0.10% FSO	±0.10% FSO	±0.13% FSO
	Reference resolution <sup>2) 3)</sup>		2µm	4µm	12µm
x-axis (width)	Standard measuring range	Start of measuring range	23.4mm	42mm	83.1mm
		Midrange	25mm	50mm	100mm
		End of measuring range	29.1mm	58mm	120.8mm
	Extended measuring range	Start of measuring range	23.2mm	40mm	58.5mm
		End of measuring range	29.3mm	60mm	143.5mm
	Resolution x-axis		640 points/profile		
	Profile frequency	COMPACT / SMART / GAP	up to 300Hz		
		HIGHSPEED	up to 4,000Hz		
Interfaces	Multi function port	Ethernet GigE Vision	Output of measurement values Sensor control Profile data transmission		
		Digital inputs	Mode switching Encoder Trigger		
		RS422 (half-duplex)	Output of measurement values Sensor control Trigger Synchronisation		
Output of measurement values		Ethernet (UDP / Modbus TCP) RS422 (ASCII / Modbus RTU) <sup>4)</sup> Analogue <sup>5)</sup> Switch signal <sup>5)</sup>			
Display (LED)		1x laser ON/OFF, 1x power/error/status			
Light source		Semiconductor laser 658nm (red)			
Aperture angle laser line		20°	25°	25°	
Laser power	standard	≤ 8mW (2M laser class)			
	optional	≤ 20mw (3B laser class)			
Integrated laser switch-off	optional	Safety interlock, hardware switch-off			
Permissible ambient light (fluorescent light) <sup>2)</sup>		10,000lx			
Protection class (sensor)		IP 65			
EMC		acc. EN 61326-1: 2006-10 DIN EN 55011: 2007-11 (group 1, B class) EN 61000-6-2: 2006-03			
Vibration		2g / 20 ... 500Hz			
Shock		15g / 6ms			
Operating temperature		0°C to 45°C			
Storage temperature		-20°C to 70°C			
Dimensions		96 x 85 x 33mm			
Weight sensor (without cable)		380g			
Supply		11-30VDC, 24V, 500mA, IEEE 802.3af class 2, Power over Ethernet			

<sup>1)</sup> Standard measuring range

<sup>2)</sup> Measuring object: Micro-Epsilon standard object (metallic, diffusely reflecting material)

<sup>3)</sup> According to a one-time averaging across the measuring field (640 points)

<sup>4)</sup> RS422 interface, programmable as serial interface or input for triggering / synchronisation

<sup>5)</sup> Only with Output Unit

FSO = Full scale output



- z-axis measuring range up to 265mm
- x-axis measuring range up to 143.5mm
- Profile frequency up to 2,000Hz
- Measuring rate up to 2,560,000 points/sec
- z-axis reference resolution from 1µm
- Resolution x-axis up to 1,280 points
- Also available with blue laser

**Compact design for precise measurement tasks**

The design of the LLT29xx series is focussed on minimal size and low weight. The controller is integrated in the housing, simplifying cabling arrangements and mechanical integration. Due to its compact design and the high profile resolution, the 29xx series is especially suitable for static, dynamic and robotic applications.

**Interfaces for universal integration**

The multi-function port can be used for power supply, as data output, for switching parameters, as trigger input or for synchronizing several scanCONTROL sensors. During synchronous operation, an integrated mode can be used to operate the sensors alternately compensating for overlapping laser lines.

One scanner is measuring whilst the other laser line is switched off. The scanners can be supplied via Ethernet if necessary. If Industrial Ethernet is used as data output, only one cable will remain that connects the sensor to the periphery.

All SMART and GAP classes enable to transfer the measurement results via different output types: Ethernet (UDP, Modbus TCP), serial (ASCII, Modbus RTU) or using the Output Unit as analogue signal or digital switch signal.

**Also available with blue laser**

The Blue Laser technology uses a laser diode with a shorter wavelength of 405nm. The outstanding characteristics of this wavelength range enable reliable measurements to be made that to date have been difficult to achieve using red laser scanners. Its advantages can be seen particularly well on red-hot glowing metals, (semi-) transparent and organic materials.





**Short measuring range**

The laser line of only 10mm enables to reliably detect smallest details. The high profile resolution combined with the blue laser line allow for maximum precision destined for versatile applications, e.g. in the electronics production.

**Article description structure**

LLT	29	00	-25	/SI
<p><b>Options</b>                  /SI = integrated laser switch-off                  /PT = integrated pigtail cable 0.25 m                  /3B = 3B laser class                  /BL = Blue Laser (blue-violet laser line)</p> <p><b>Measuring range</b>                  10mm (only Blue Laser)                  25mm                  50mm                  100mm</p> <p><b>Class</b>                  00=COMPACT                  10=SMART                  11=GAP                  50=HIGHSPEED</p> <p><b>Series</b>                  LLT29xx</p>				

**Options\***

/SI	Integrated laser switch-off	/PT	Pigtail cable
	Hardware switch-off of the laser line		0.25m long cable directly out of the sensor
/3B	3B laser class	/BL	Blue laser line
	Improved laser power (20mW) e.g. for dark surfaces		Blue laser line (405nm) for (semi-) transparent, red-hot glowing and organic materials

\*Options can be combined

Model		LLT	29xx-10/BL	29xx-25	29xx-50	29xx-100
z-axis (height)	Standard measuring range	Start of measuring range	52.5mm	53.5mm	70mm	190mm
		Midrange	56.5mm	66mm	95mm	240mm
		End of measuring range	60.5mm	78.5mm	120mm	290mm
		Height of measuring range	8mm	25mm	50mm	100mm
	Extended measuring range	Start of measuring range	-	53mm	65mm	125mm
		End of measuring range	-	79mm	125mm	390mm
	Linearity <sup>1)</sup>	(2sigma)	±0.17% FSO	±0.10% FSO	±0.10% FSO	±0.10% FSO
	Reference resolution <sup>2) 3)</sup>		1µm	2µm	4µm	12µm
x-axis (width)	Standard measuring range	Start of measuring range	9.4mm	23.4mm	42mm	83.1mm
		Midrange	10mm	25mm	50mm	100mm
		End of measuring range	10.7mm	29.1mm	58mm	120.8mm
	Extended measuring range	Start of measuring range	-	23.2mm	40mm	58.5mm
		End of measuring range	-	29.3mm	60mm	143.5mm
	Resolution x-axis		1,280 points/profile			
Profile frequency	COMPACT / SMART / GAP	up to 300Hz				
	HIGHSPEED	up to 2,000Hz				
Interfaces	Multi function port	Ethernet GigE-Vision	Output of measurement values Sensor control Profile data transmission			
		Digital inputs	Mode switching Encoder Trigger			
		RS422 (half-duplex)	Output of measurement values Sensor control Trigger Synchronisation			
Output of measurement values		Ethernet (UDP / Modbus TCP) RS422 (ASCII / Modbus RTU) <sup>4)</sup> Analogue <sup>5)</sup> Switch signal <sup>5)</sup>				
Display (LED)		1x laser ON/OFF, 1x power/error/status				
Light source	standard	Semiconductor laser 405nm (blue)	Semiconductor laser 658nm (red)			
	optional	-	Semiconductor laser 405nm (blue)			
Aperture angle laser line		10°	20°	25°	25°	
Laser power	standard	≤ 8mW (2M laser class)				
	optional	-	≤ 20mw (3B laser class)			
Integrated laser switch-off	optional	Safety interlock, hardware switch-off				
Permissible ambient light (fluorescent light) <sup>2)</sup>		10,000lx				
Protection class (sensor)		IP 65				
EMC		acc. EN 61326-1: 2006-10 DIN EN 55011: 2007-11 (group 1, B class) EN 61000-6-2: 2006-03				
Vibration		2g / 20 ... 500Hz				
Shock		15g / 6ms				
Operating temperature		0°C to 45°C				
Storage temperature		-20°C to 70°C				
Dimensions		96 x 118.5 x 33mm	96 x 85 x 33mm			
Weight sensor (without cable)		440g	380g			
Supply		11-30VDC, 24V, 500mA, IEEE 802.3af class 2, Power over Ethernet				

<sup>1)</sup> Standard measuring range

<sup>2)</sup> Measuring object: Micro-Epsilon standard object (metallic, diffusely reflecting material)

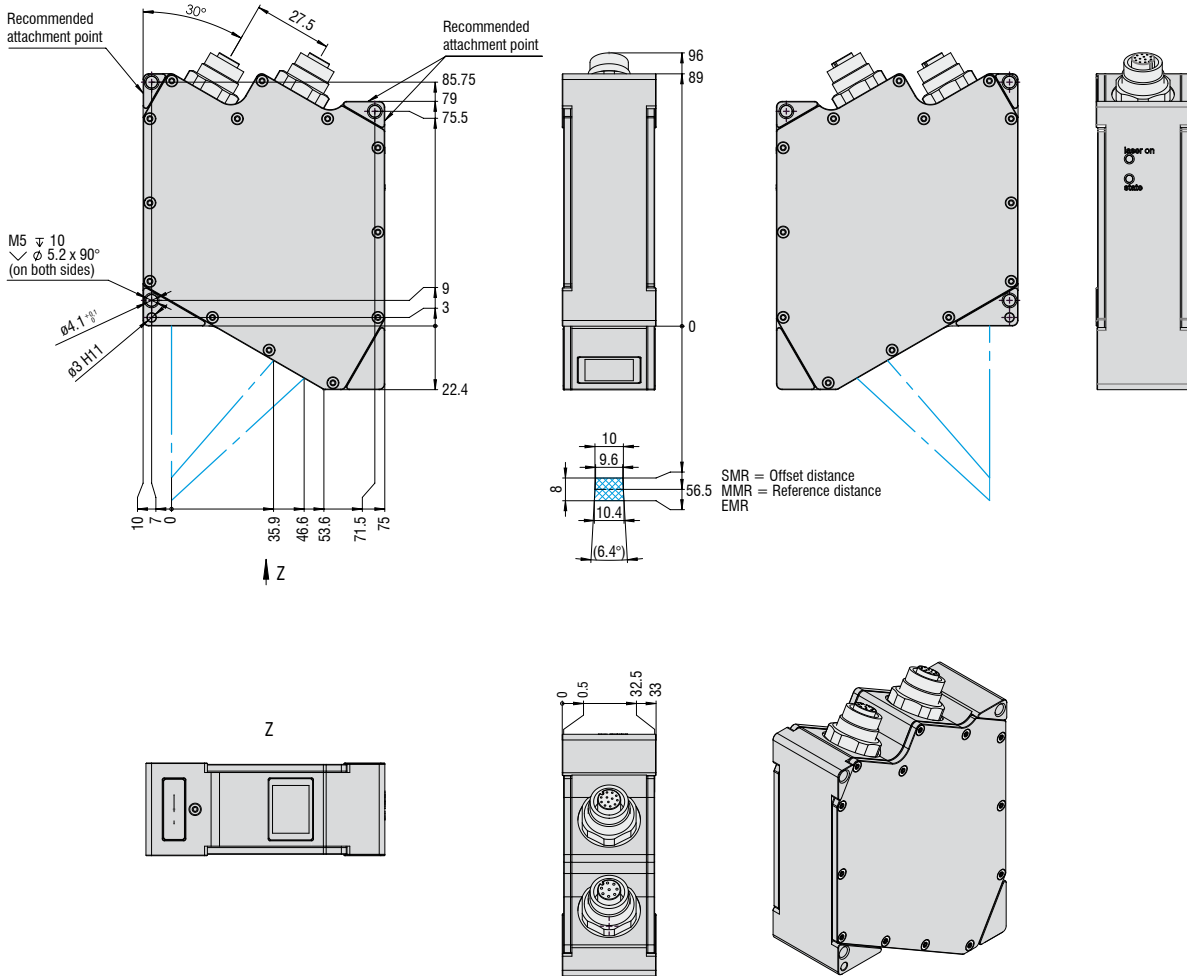
<sup>3)</sup> According to a one-time averaging across the measuring field (640 points)

<sup>4)</sup> RS422 interface, programmable as serial interface or input for triggering / synchronisation

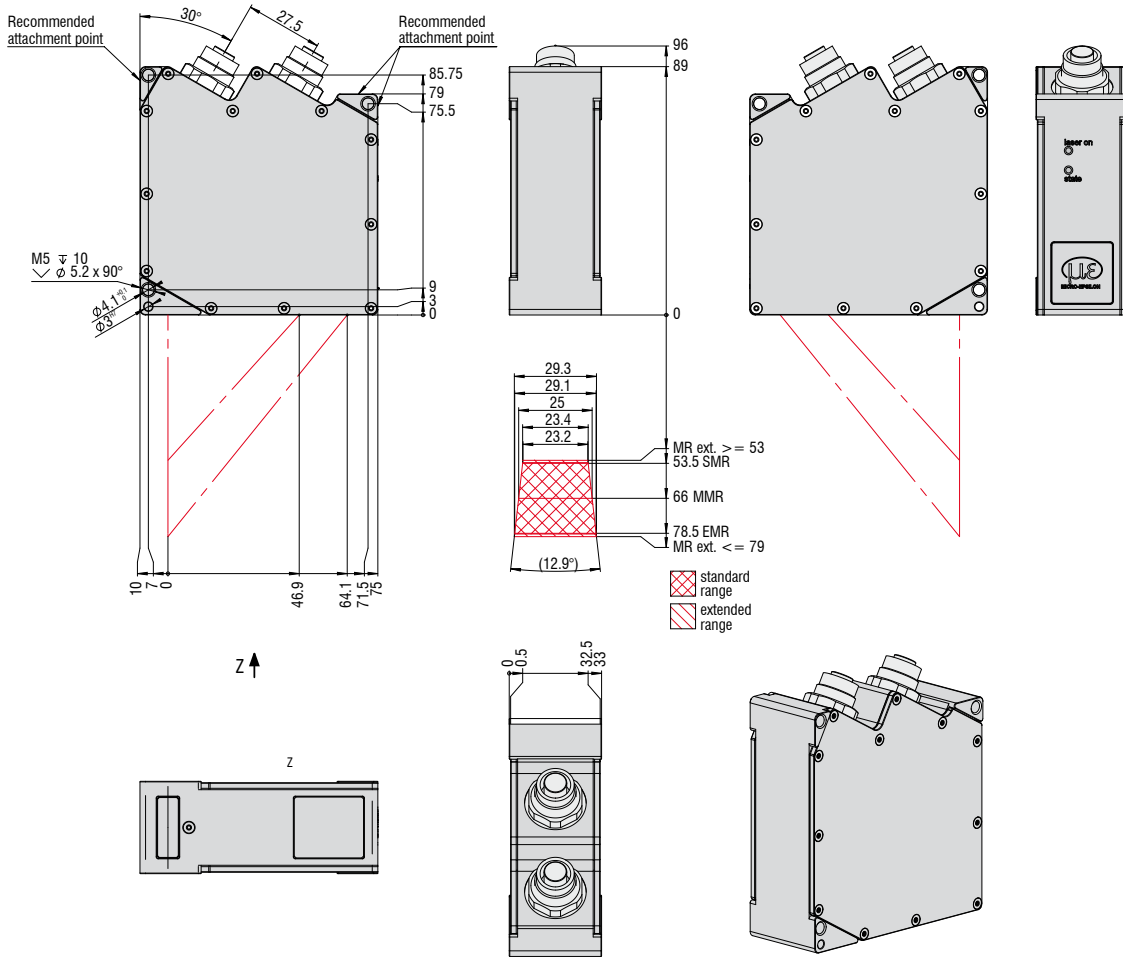
<sup>5)</sup> Only with Output Unit

FSO = Full scale output

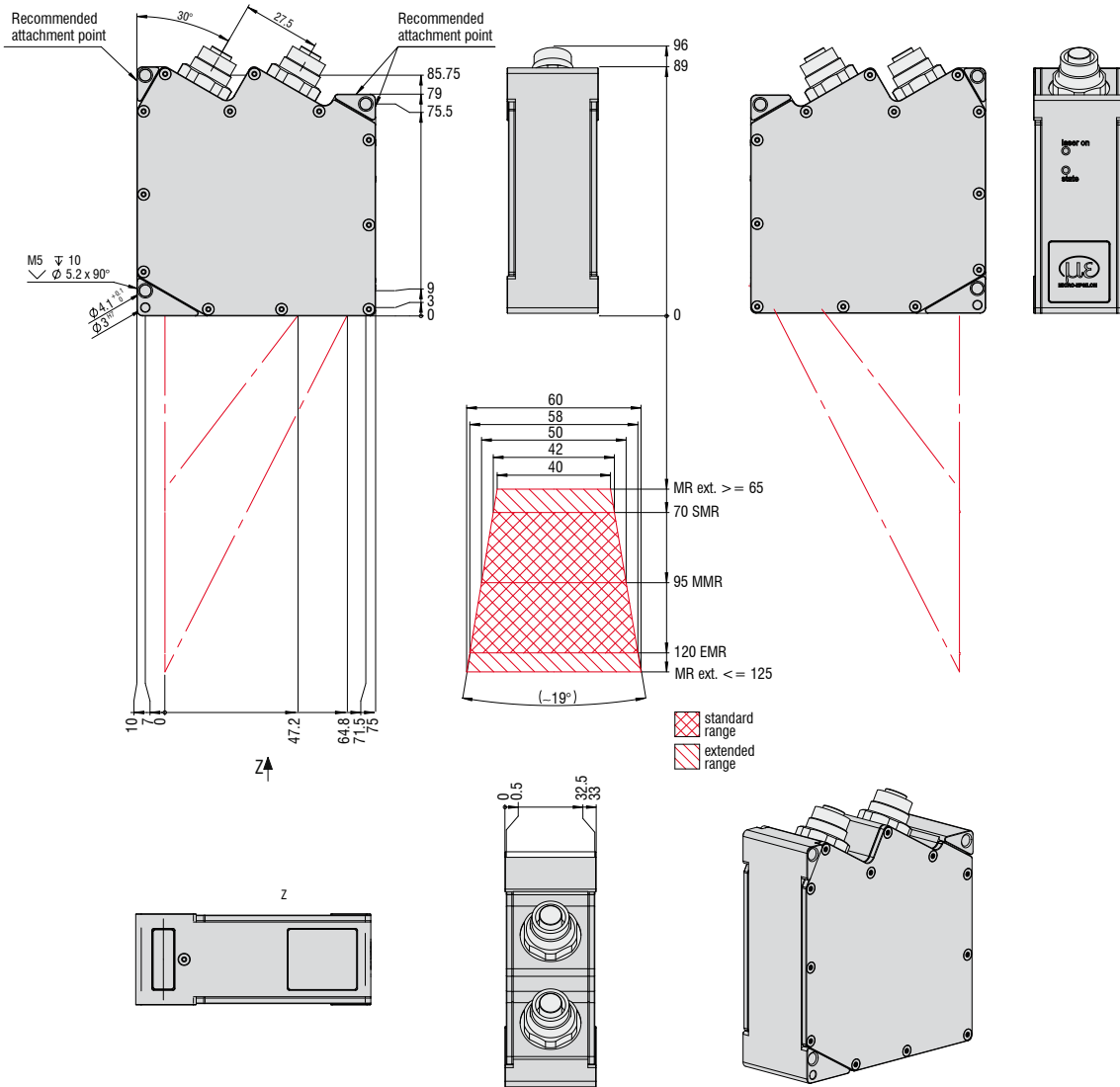
LLT29xx-10/BL



LLT26xx/29xx-25

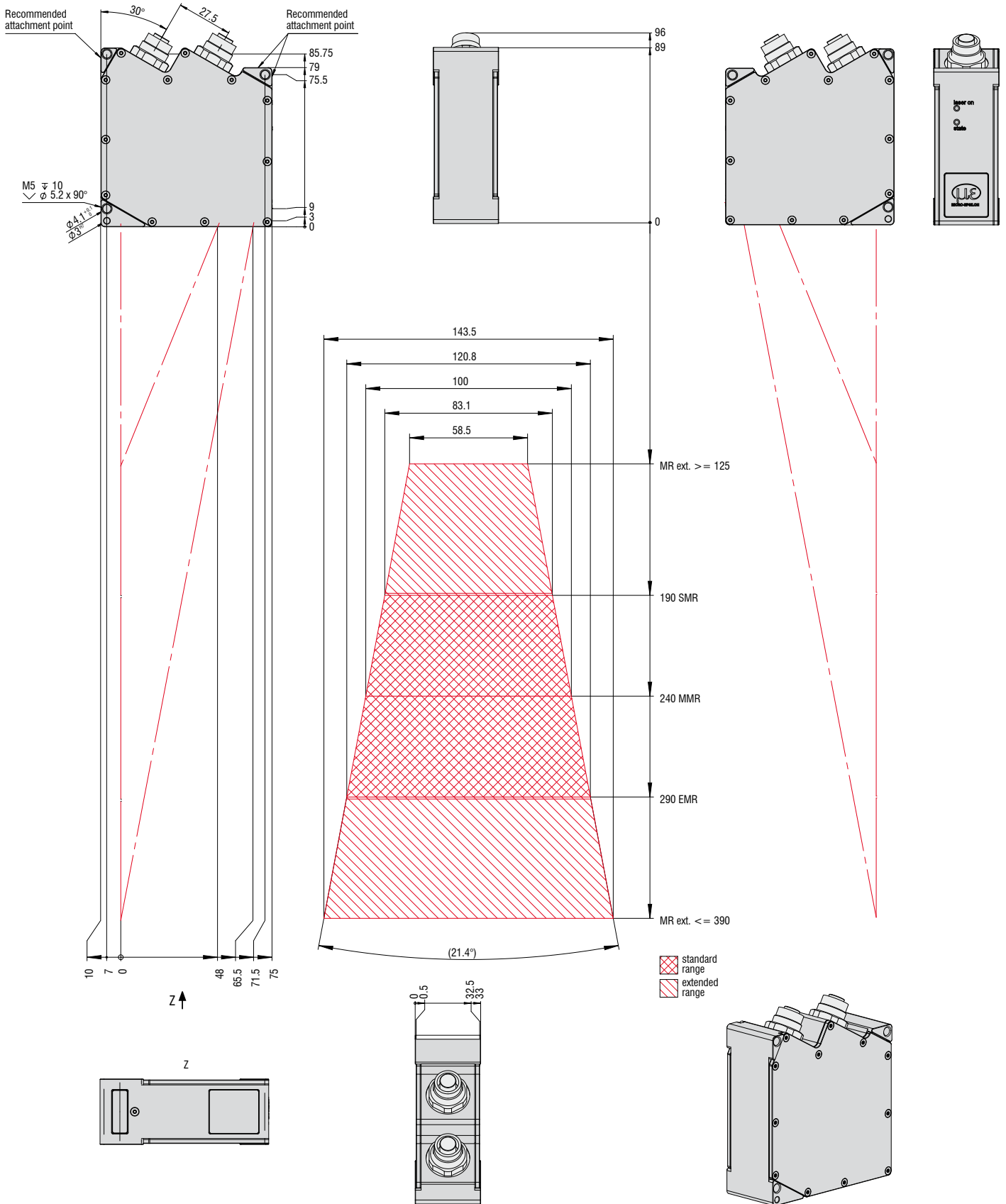


LLT26xx/29xx-50





LLT26xx/29xx-100





- z-axis measuring range up to 300mm
- x-axis measuring range up to 148mm
- Profile frequency up to 4,000Hz
- Measuring rate up to 1,280,000 points/sec
- z-axis reference resolution from 4µm
- Resolution x-axis up to 640 points

#### Compact design and large offset distance

LLT27xx is ideal wherever a scanner with integrated controller and a large distance between the sensor and the measurement object are required. This is particularly beneficial in dynamic processes or where high target temperatures exist.

#### Extended measuring ranges for large targets

Extended measuring ranges are available for larger objects. Using software, the user can switch over from the standard range to the extended range. To document the measuring ranges, each sensor is equipped with a traceable calibration certificate.

#### Protective cover plate for harsh environments

A protective cover plate is available for harsh industrial environments. This plate can be equipped with blow-out system. The cover plate is attached to the base of the sensor and has a protective window, through which the laser beam passes. Therefore, applications such as measurements close to the welding process are possible.





#### LLT27xx-100 also with blue laser line

The LLT27xx-100 is with its large offset distance especially suitable for applications on hot and red-hot glowing materials. As a result, this sensor model is also available with a blue laser diode operating at a wavelength of 405nm. The special optics filters out the red reflections, allowing the sensor to precisely scan the exact contour of the blue laser line.

#### Article description structure

LLT	27	00	-25	(5	00)
<b>Options</b> 00 = Standard design 01 = Connection socket housing rear side 02 = integrated laser switch-off 04 = 3B laser class 06 = Blue Laser (blue-violet laser line), only with a measuring range of 100 mm					
<b>Interfaces</b> 5 = Ethernet interface (standard) 0 = Firewire interface					
<b>Measuring range</b> 25mm 50mm 100mm					
<b>Class</b> 00=COMPACT 10=SMART 11=GAP 50=HIGHSPEED					
<b>Series</b> LLT27xx					

#### Options\*

(01) Connection socket housing rear side	(02) Integrated Laser switch-off
 For space saving on the housing top side	 Hardware switch-off of the laser line
(04) 3B laser class	(06) Blue laser line
 Improved laser power (20mW) for e.g. dark surfaces	 Blue laser line (405nm) for (semi-) transparent, red-hot glowing and organic materials (only for 27xx-100)

\*Options can be combined

Model	LLT	27xx-25	27xx-50	27xx-100	
z-axis (height)	Standard measuring range	Start of measuring range	90mm	175mm	350mm
		Midrange	102.5mm	200mm	400mm
		End of measuring range	115mm	225mm	450mm
	Extended measuring range	Height of measuring range	25mm	50mm	100mm
		Start of measuring range	85mm	160mm	300mm
		End of measuring range	125mm	260mm	600mm
	Linearity <sup>1)</sup>	(2sigma)	±0.13% FSO		
Reference resolution <sup>2) 3)</sup>		4µm	10µm	15µm	
x-axis (width)	Standard measuring range	Start of measuring range	23mm	44mm	88mm
		Midrange	25mm	50mm	100mm
		End of measuring range	27mm	56mm	112mm
	Extended measuring range	Start of measuring range	22mm	41mm	76mm
		End of measuring range	29mm	64mm	148mm
Resolution x-axis		640 points/profile			
Profile frequency	COMPACT / SMART / GAP	up to 100Hz			
	HIGHSPEED	up to 4,000Hz			
Interfaces	Ethernet GigE Vision <sup>6)</sup>	Output of measurement values Sensor control Profile data transmission			
	RS422	Output of measurement values Sensor control Trigger Encoder Synchronisation			
Output of measurement values		Ethernet (UDP / Modbus TCP) RS422 (ASCII / Modbus RTU) <sup>4)</sup> Analogue <sup>5)</sup> Switching signal <sup>5)</sup>			
Display (LED)		1x laser, 1x power/error/status			
Light source	standard	Semiconductor laser 658nm (red)			
	optional	-	-	Semiconductor laser 405nm (blue)	
Aperture angle laser line		20°			
Laser power	standard	≤ 10mW (2M laser class)			
	optional	≤ 20mW (3B laser class)			
Integrated laser switch-off	optional	Safety interlock, hardware switch-off			
Permissible ambient light (fluorescent light) <sup>2)</sup>		10.000lx			
Protection class		IP 64			
EMC		acc. EN 61326-1: 2006-10 DIN EN 55011: 2007-11 (group 1, B class) EN 61000-6-2: 2006-03			
Vibration		2g / 20 ... 500Hz			
Shock		15g / 6ms			
Operating temperature		0°C to 50°C			
Storage temperature		-20°C to 70°C			
Dimensions		127 x 69 x 73mm	142 x 69 x 73mm	170 x 69 x 73mm	
Weight		approx. 700g	approx. 800g	approx. 850g	
Supply		8-30VDC, 500mA			

<sup>1)</sup> Standard measuring range

<sup>2)</sup> Measuring object: Micro-Epsilon standard object (metallic, diffusely reflecting material)

<sup>3)</sup> According to a one-time averaging across the measuring field (640 points)

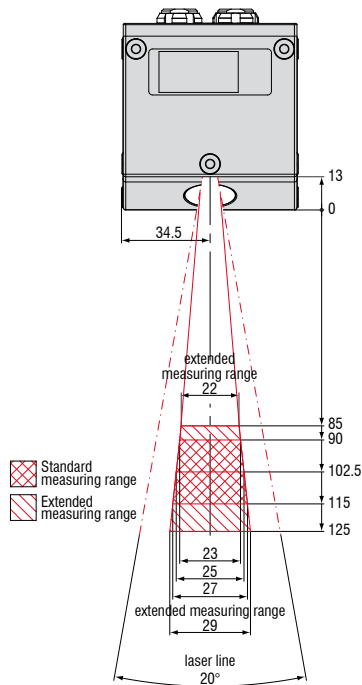
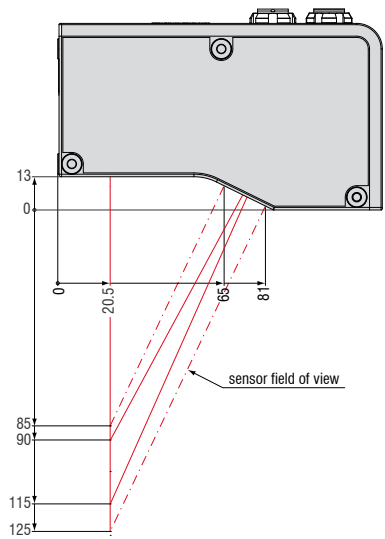
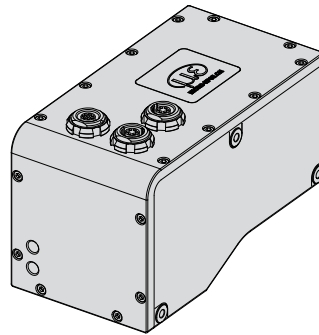
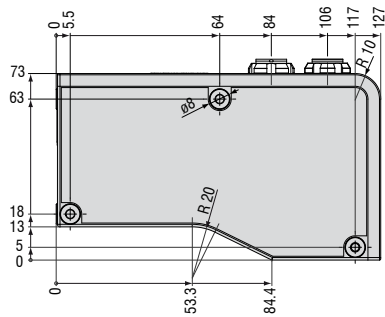
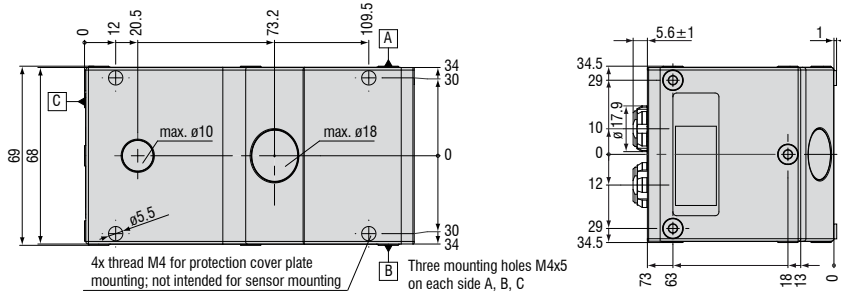
<sup>4)</sup> RS422 interface, programmable as serial interface or input for triggering / synchronisation

<sup>5)</sup> Only with Output Unit

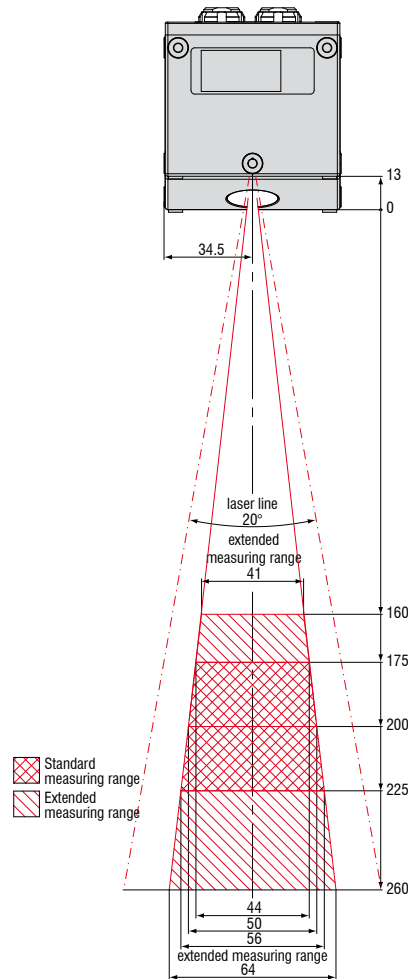
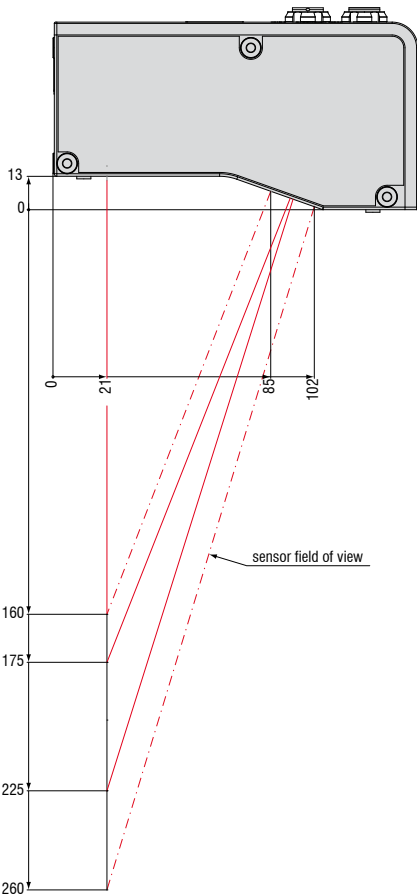
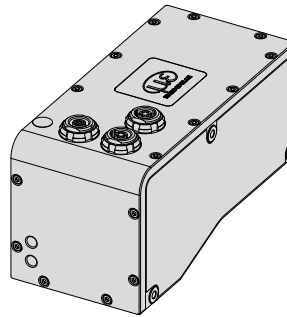
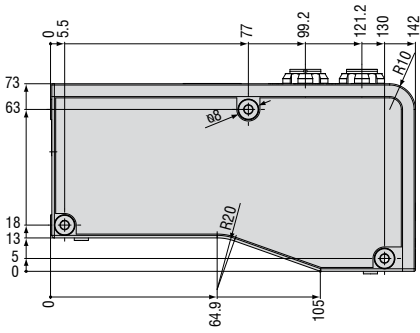
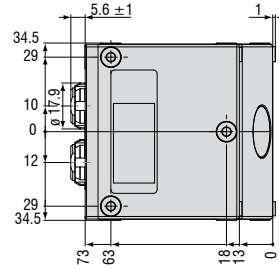
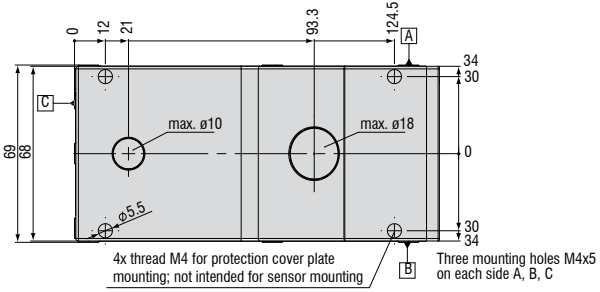
<sup>6)</sup> Optionally available as Firewire interface

FSO = Full scale output

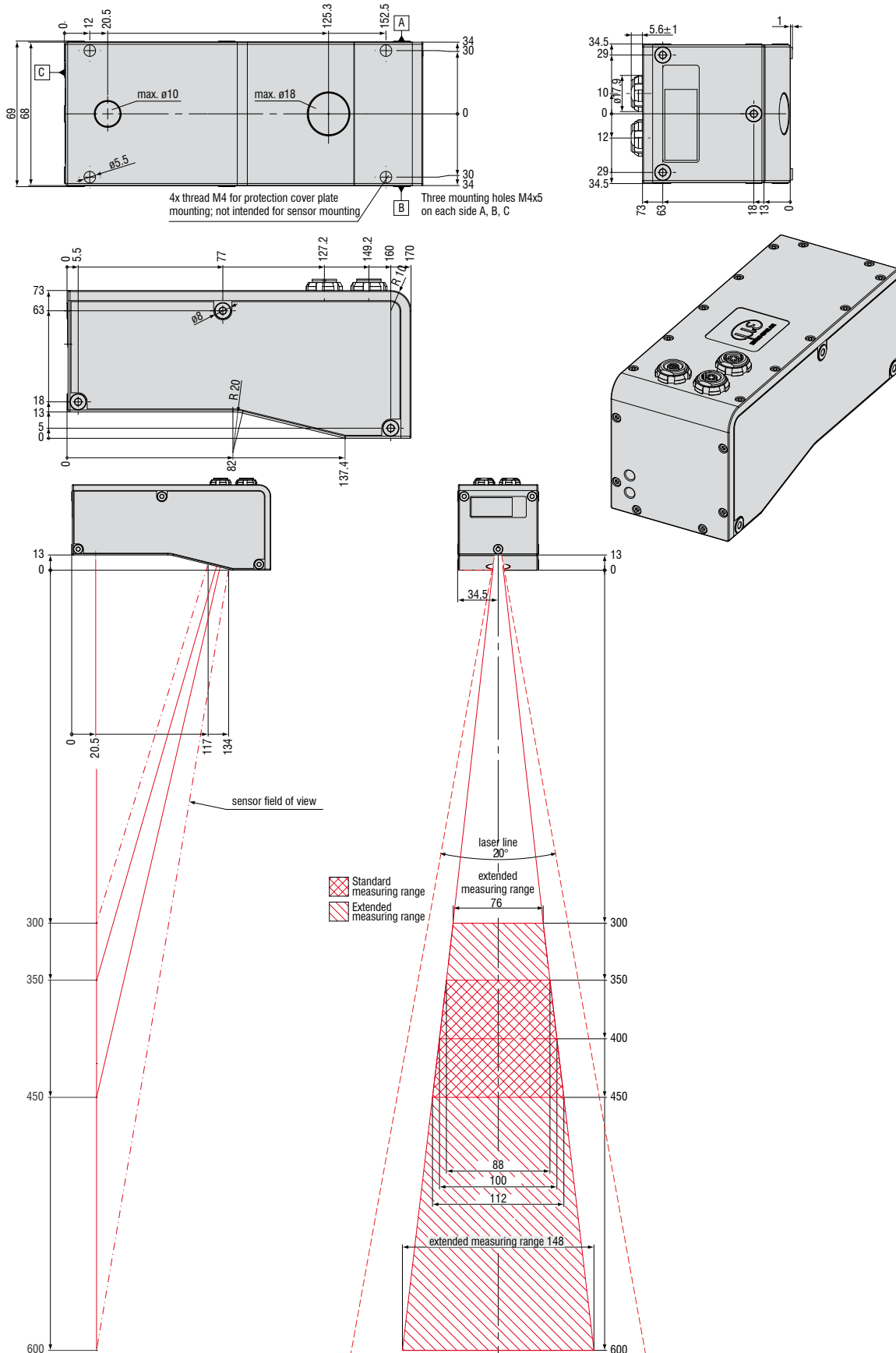
LLT27xx-25



LLT27xx-50

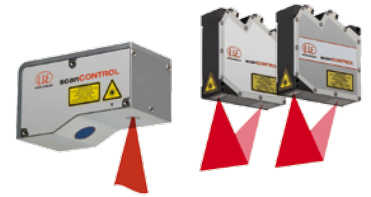


LLT27xx-100



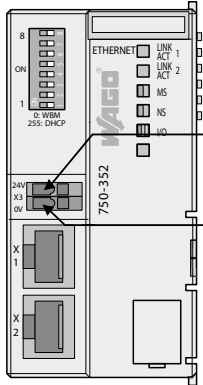
**Output Unit for all scanners of the SMART and GAP classes**

The scanCONTROL Output Unit is addressed via Ethernet and outputs analogue and digital signals. Different output terminals can be connected to the fieldbus coupler.

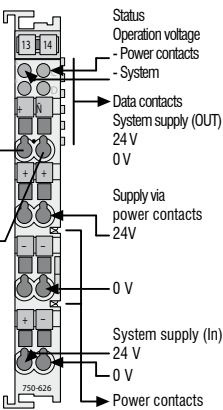


**Output Unit**

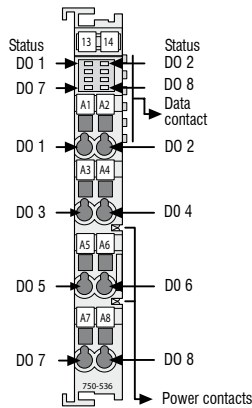
**OU fieldbus coupler**



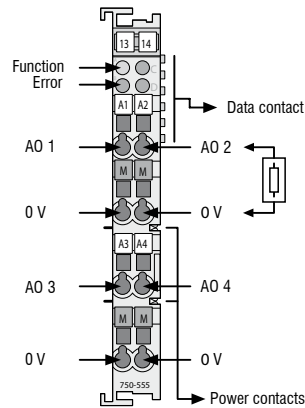
**OU filter module**



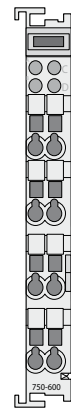
**Digital output module**



**Analogue output module**



**OU bus termination module**



Output modules for Output Unit Basic  
**digital:**  
24V positive switching  
24V negative switching  
5V positive switching

Analogue output for Output Unit Basic  
**analog:**  
±10V  
0-10V  
0-20mA  
4-20mA

**Output Unit**

- 6414073 Output Unit Basic/ET
- 0325131 OU-DigitalOut/8-channel/DC24V/0.5A/negative
- 0325115 OU-DigitalOut/8-channel/DC24V/0.5A/positive
- 0325116 OU-AnalogOut/4-channel/±10V
- 0325135 OU-AnalogOut/4-channel/0-10V
- 0325132 OU-AnalogOut/4-channel/0-20mA
- 0325133 OU-AnalogOut/4-channel/4-20mA

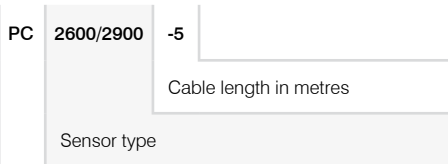
- Fieldbus coupler with filter module and bus end terminal
- 8-channel digital output terminal; DC 24V; 0.5A; negative switching;
- 8-channel digital output terminal; DC 24V; 0.5A; positive switching
- 4-channel analogue output terminal; ±10V
- 4-channel analogue output terminal; 0-10V
- 4-channel analogue output terminal; 0-20mA
- 4-channel analogue output terminal; 4-20mA

Further terminals are available on request.

**Connection cable**

**Multi-function cable**

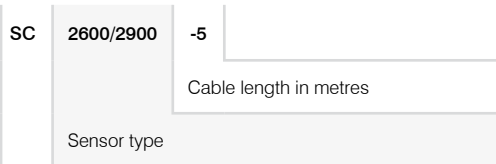
For power supply, digital inputs (TTL or HTL), RS422 (half-duplex)



PC = Multi-function cable qualified for drag chain use  
PCR = Multi-function cable suitable for use with robots

**Ethernet connection cable**

For parameter set up, value and profile transmission



SC = Ethernet connection cable qualified for drag chain use  
SCR = Ethernet connection cable suitable for use with robots



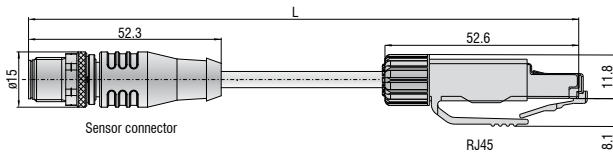
**Accessories**

**Art. No. Model**

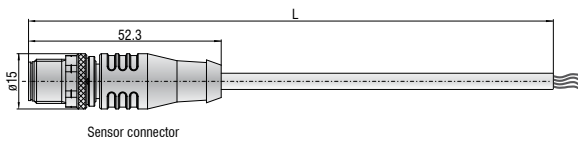
- 0323478 Connector/12-pol/LLT2600-2900/PS/RS422/DigIN
- 0323479 Connector/8-pol/LLT2600-2900/Ethernet
- 2420067 PS2600/2900
- 0254072 Suitcase scanCONTROL 26/27/29 MR 10-100

**Description**

- Connector multi-function port for scanCONTROL series LLT26xx and 29xx
- Connector for Ethernet socket for scanCONTROL series LLT26xx and 29xx
- Power supply unit for scanCONTROL 2600/2900
- Transport suitcase for scanCONTROL sensors, incl. measuring stand



Ethernet connection cable



Multi-function cable

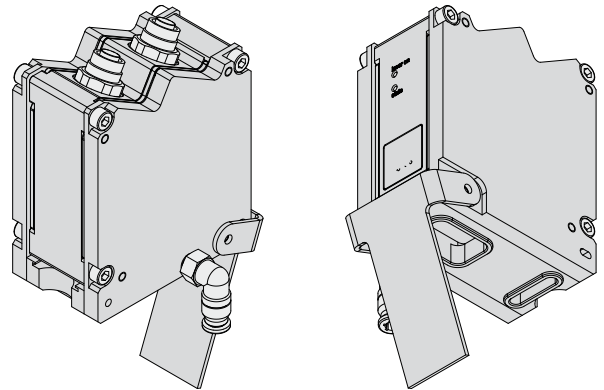
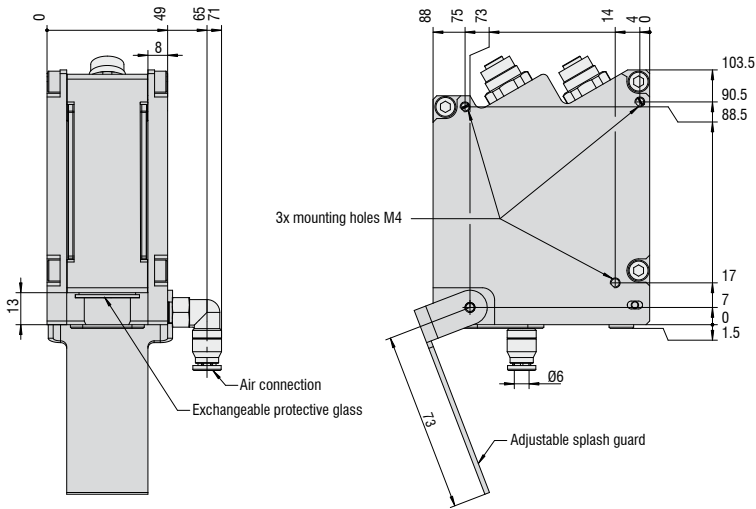


Protection and cooling housing for LLT26xx and 29xx



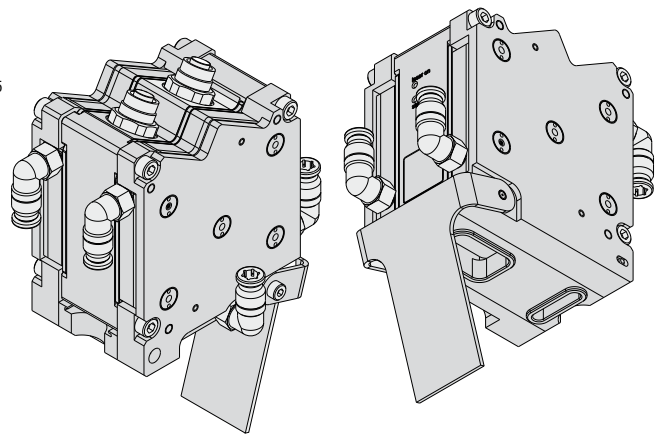
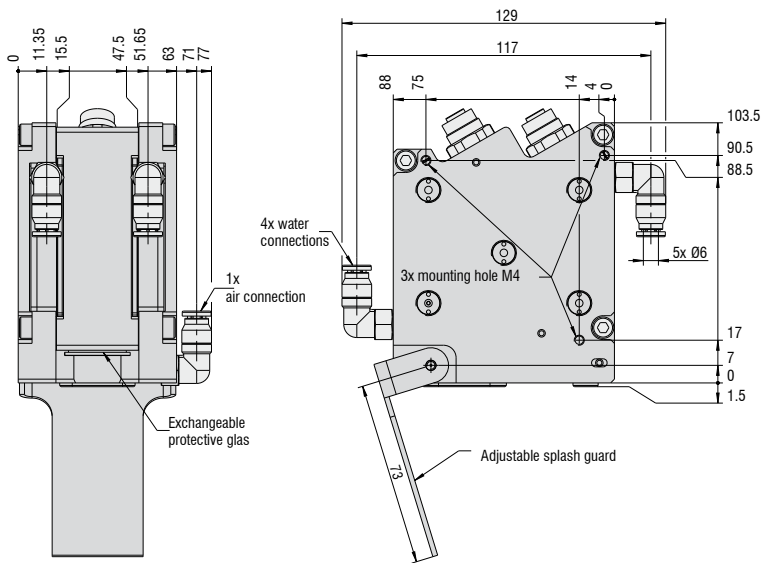
Protection housing including blow-out system

Art. No.: 2105058



Protection housing including blow-out system and water cooling

Art. No.: 2105059



**Connection cable****Ethernet connection cable**

For parameter set up, value and profile transmission



SC	2700	-5	/ET
			/ET = Ethernet connection cable Without option = Firewire connection cable
			Cable length in metres
Sensor type			

SC= Connection cable qualified for drag chain use  
SCR = Connection cable suitable for use with robots

**Other cables****Art. No. Model**

2901407 PC2700-4,5  
2901406 SC2700-4,5/RS422  
2901581 SC2700-0,5/SYNC

**Description**

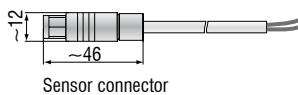
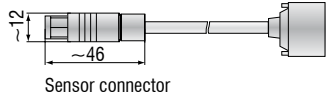
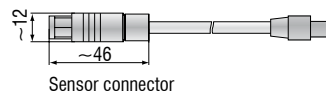
Power supply cable, 4.5m  
RS422 interface cable, 4.5m  
Synchronisation cable for two scanCONTROL 2700 sensors

**Zubehör****Art. No. Model**

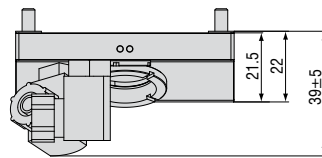
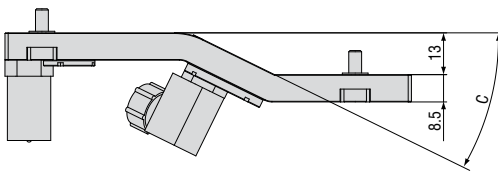
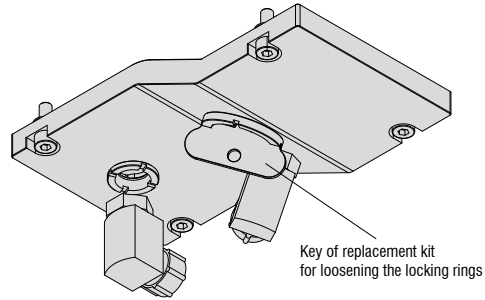
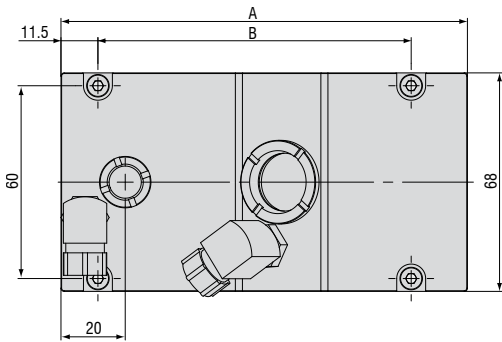
0323399 Plug/8-pol/LLT2700/Ethernet  
0323320 Connector/6-pin/LLT2700/power supply  
0323351 Connector/6-pin/LLT2700/RS422  
2420059 PS2700  
0254072 Suitcase scanCONTROL 26/27/29 MR 10-100

**Description**

Connector for Ethernet socket scanCONTROL series 27xx  
Connector for power supply socket for scanCONTROL series 27xx  
Connector for RS422 socket for scanCONTROL series 27xx  
Power supply unit for suitcase scanCONTROL 2700  
Transport suitcase for scanCONTROL sensors, incl. measuring stand

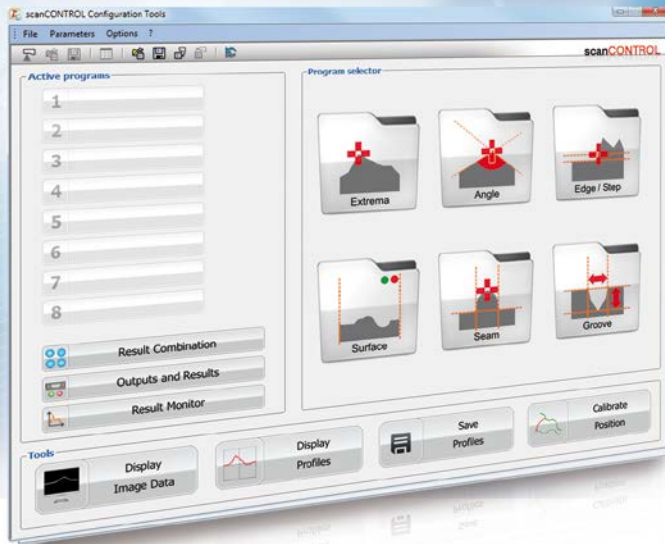
**External power supply cable****RS422 interface cable****t connection cable (RJ45) or Firewire (6-pol)**

Protective shield, fixed on the sensor (with or without blow-out system)



	A	B	C
PS-LLT2700-25	126.5	97.5	26.14°
PS-LLT2700-50	141.5	112.5	19.5°
PS-LLT2700-100	169.5	140.5	13.78°

Art. No.	Model	Description
2105029	PS-LLT2700-25	Protective shield, mounted
2105028	PS-LLT2700-25/AIR	Protective shield with air supply, mounted
2105027	PS-LLT2700-50	Protective shield, mounted
2105026	PS-LLT2700-50/AIR	Protective shield with air supply, mounted
2105025	PS-LLT2700-100	Protective shield, mounted
2105024	PS-LLT2700-100/AIR	Protective shield with air supply, mounted



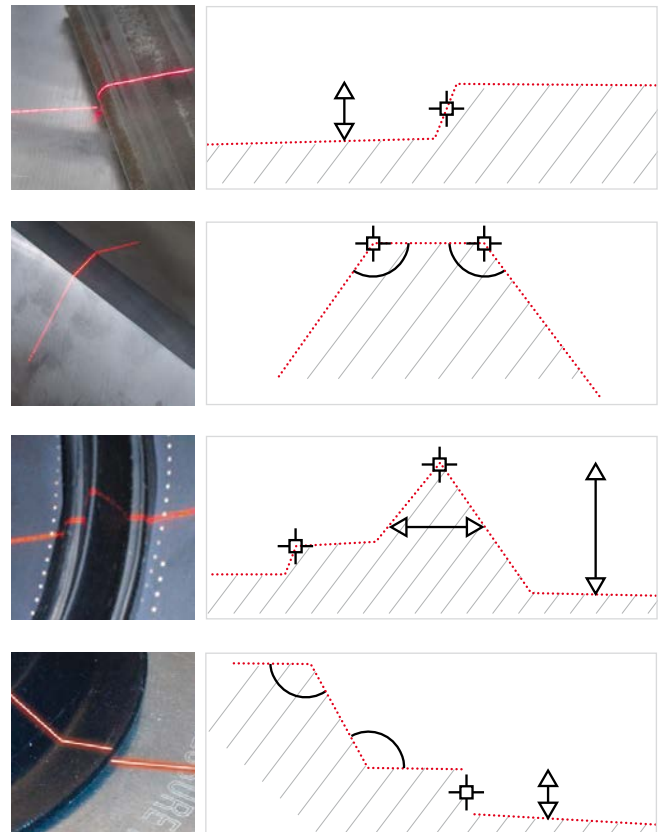
- Plug & Play solution for complex measurement tasks
- Evaluation in the sensor head - without external controller
- Parallel execution of different measurement tasks and multiple evaluation
- Easy online and offline analysis

The sensors of the SMART series have an intelligent controller which allows simple profile analysis without an additional PC.

The scanCONTROL Configuration Tools software is used for parameter set up of the profile analysis. As well as configuration of the sensor, this also enables the parameters of the measurement task to be set up and of the outputs, resulting in a compact, industrial, inline measurement solution.

For offline testing of high speed processes, the functions of the software also operate using pre-recorded profiles, without requiring a sensor to be connected.

A complete profile analysis task can be programmed in four simple steps. The pre-configured measuring system operates in standalone mode and transmits the measured values to a PLC.



The system is freely configurable and can be quickly and easily adjusted for a variety of tasks

**Step 1****Alignment of the sensor**

The 'Display Image Data' module will help you to mount the sensor. This shows a live image of the sensor matrix and the optimum measuring range, as well as the reflection characteristics of the target.

**Step 2****Sensor setting**

Selecting exposure time, profile frequency and other parameters adjust the laser scanner to the desired application. Dynamic algorithms such as the automatic exposure time or the dynamic threshold enable to detect difficult surfaces as well. The software delivers a direct feedback about the achieved saturation and the current scanner profile frequency.

**Step 3****Selection of measurement programs**

Depending on the measurement task, one or more measurement programs can be selected with a simple mouse click. More than 25 modules are available. There are different module groups for the respective, common profile measurement tasks. The measurement programs to the right are suitable for the exemplary profiles above.

**Step 4****Configuration of measurement programs**

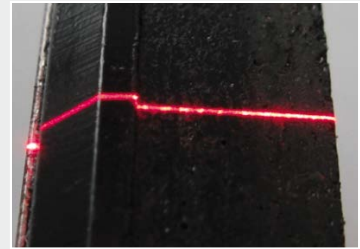
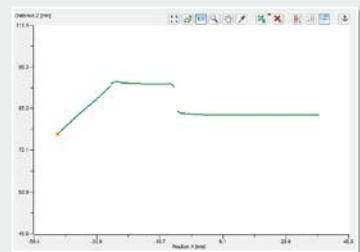
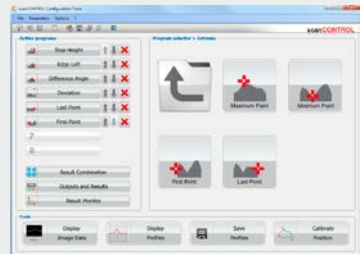
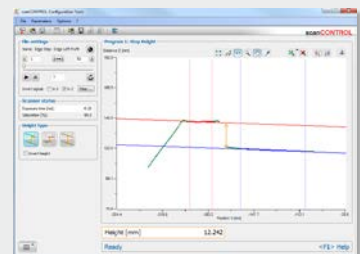
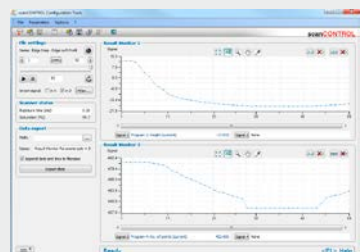
Each of these measurement programs can be individually configured. On a simple interface, different methods of interacting with the live measurement signal are available. Therefore, the relevant areas of the signal, for example, can be cut out and reference points set. The results of the individual measurement packages are displayed directly in the profile.

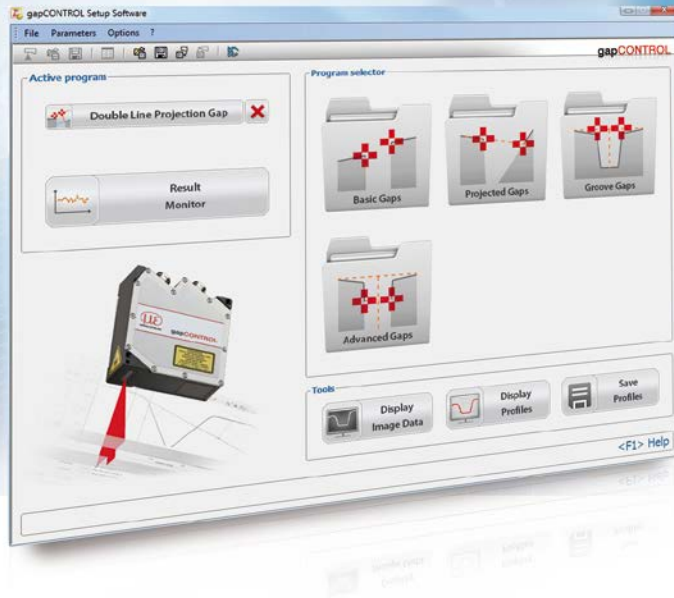
**Step 5****Defining the outputs and displaying measured values**

In the final step, all measurement values are displayed as a profile, filtered temporally if required, and assigned to the different outputs. Limit values and interfaces can therefore be easily configured.

Download:

<http://www.micro-epsilon.com/configuration-tools>

**Step 1****Alignment of the sensor****Step 2****Sensor setting****Step 3****Selection of measurement programs****Step 4****Configuration of measurement programs****Step 5****Output and display of measured values**



- Plug & Play solution for gap measurements
- Different gap definitions
- Various measurement values (gap width, height offsets, position,...)
- Evaluation in the sensor head - without external controller

The following gap main groups are available:

#### Basic gaps

The edgeless gaps are the so-called „Basic Gaps“ and are characterised by clearly defined reference points for gap measurement. These could be, for example, the end points or the lowest points of each side. Furthermore, the offset of both sides is easily measurable. This gap type allows for an easy entry and the desired measurement result is output by modifying just a few settings.

#### Projected gaps

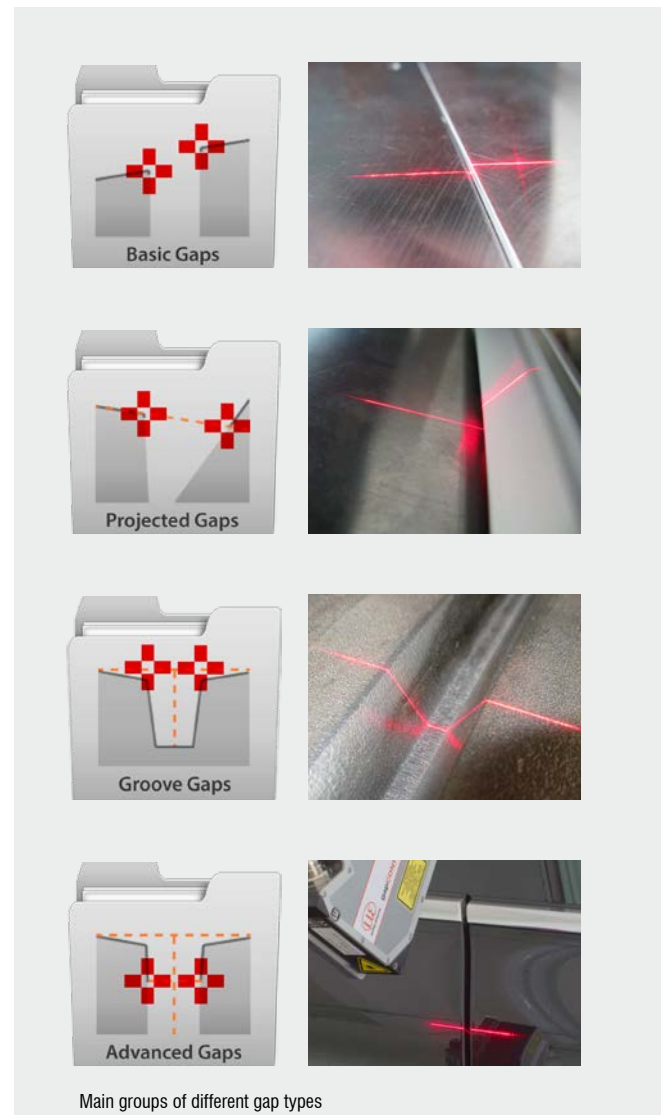
With these types of gaps, the end points of both sides are projected. There are different ways of projection, for example, the projection onto a common parallel or the projection of an end point onto the opposite side. The distance between the projected points is described as gap width. The pre-defined gap variants allow for easy and fast setting.

#### Groove gaps

If there is a visible ground in the gap, further inspections can be carried out in order to e.g. measure the gap depth. The evaluations also apply for grooves and other cavities. With soldering applications e.g. the so-called V-gap of pipelines, special algorithms of the „Advanced Groove Gap“ output the oscillation width depending on the current soldering depth.

#### Advanced gaps

These types offer the user advanced settings. The algorithms for flushness measurement or projection can be adapted independently of each other as well as the search criteria for the respective gap points. Furthermore, these gap types provide numerous additional measured values such as angle or unevenness of the edges.



Main groups of different gap types

### gapCONTROL Setup Software

Not all gaps are alike. There are different definitions of how the optical gap is defined for different industries and measuring targets. The gapCONTROL Setup Software enables quick and easy configuration of gapCONTROL sensors. Both components together represent a complete solution for automated gap measurement. After parameterisation, the sensor operates in standalone mode. However, the software can be used for the visualisation of the measured values.

### gapCONTROL modes

The user-friendly, intuitive software guides the user through the program. In the first step, a gap mode is chosen from a wide selection of conventional gap types. This pre-selection specifies a start configuration for the chosen gap type. With simple types of gap, e.g. "Edge Points Gap", no additional configuration is needed. Other gap types offer application-specific configuration options.

### Set up and configuration of gap measurements

After selecting the gap mode, the search algorithms for the right and left-hand gap edges as well as for the gap offset are specified with the gapCONTROL Software. For dynamic processes, gapCONTROL also offers tracking functionality, e.g. following the centre position.

### Measurement output: plug & play solution in the integrated controller

For output of measured values, these can be configured with freely assigned values. The configuration of gapCONTROL can be saved in the memory of the sensor. Consequently, the sensor is ready for running in its standalone mode without an external PC. Besides measurement value output via Ethernet (Modbus TCP protocol, UDP protocol) and RS422 (Modbus RTU protocol or ASCII format), additional digital switch signals and analogue measuring values can also be output.

### Measurement and evaluation of the measurement value sequence

Using the „Result Monitor“ analysis program, selected measurement value sequences of recorded profiles and live profiles can be displayed and analysed, enabling the evaluation of measurements. Additionally, an integrated cgm analysis (capability gauge measurement), and further statistical parameters (e.g. limit value exceeded, average values) are available. The software allows these values to be exported for archive purposes or for further analysis in calculation tables.

### Load and save

The gapCONTROL Setup Software allows both profiles and measuring results (e.g. gap width) to be saved. Stored profiles, even without a gapCONTROL sensor connected, can be re-loaded, and all parameters of the evaluation can be tested on these offline data. Several example profiles are already included with the standard installation of the gapCONTROL Setup Software, and they can largely be used to test the functioning of the software.

Download:

<http://www.micro-epsilon.com/gapcontrol-setup-software>

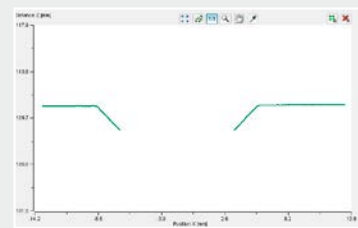
#### Step 1

#### Alignment of the sensor



#### Step 2

#### Sensor setting



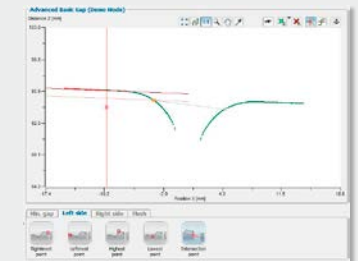
#### Step 3

#### Selection of measurement programs



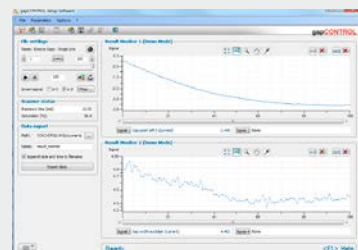
#### Step 4

#### Configuration of measurement programs



#### Step 5

#### Output and display of measured values





- Display of profile sequences
- Offline or real-time display of 3D profiles
- Synchronisation of the direction of travel (e.g. by encoder)
- 2D Export of the profile sequences (PNG)
- 3D Export (ASC, STL, CSV) for CAD programmes
- Intensity per point can be displayed and exported

### 3D visualisation for all scanCONTROL/gapCONTROL models

By means of the relative movement between sensor and target, the third dimension for the measurement data is obtained. The y-coordinates are assigned via a trigger or CMM counter.

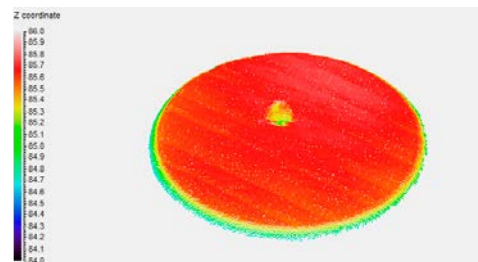
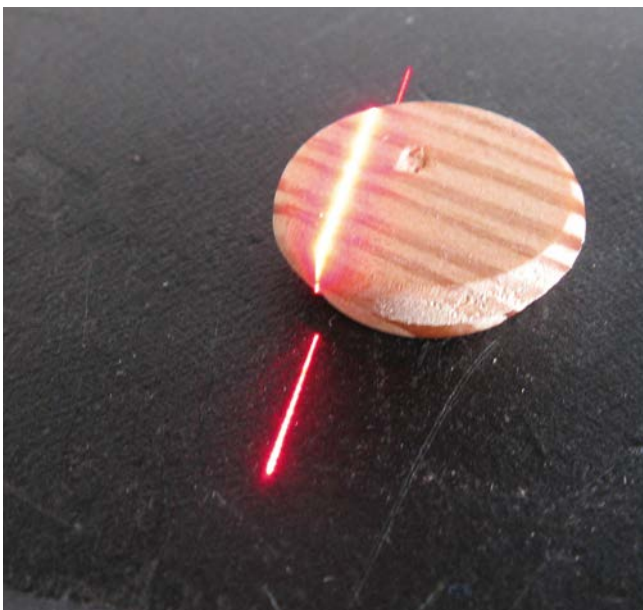
The scanCONTROL 3D-View software is designed for viewing and exporting this 3D data. In addition, 3D-View also supports the configuration of the sensor.

The software enables the interactive viewing of 3D data and the export of this measurement data to common data formats (ASCII, STL or PNG). Various display modes, views and colour palettes help in setting up the sensors and analysing the profiles.

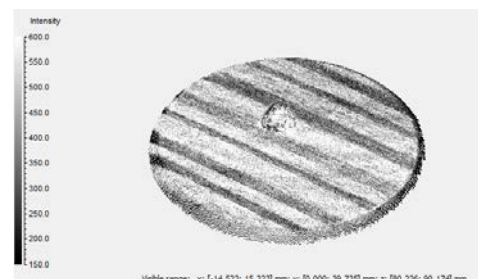
The software supports the online visualisation of the profiles as well as offline analysis of stored profile sequences.

Download:

<http://www.micro-epsilon.com/3d-view>



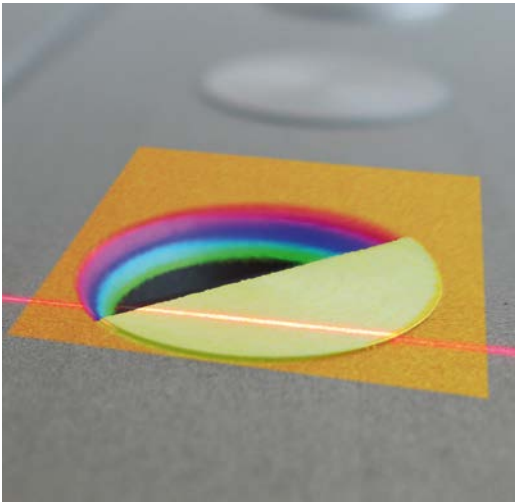
Distance profile



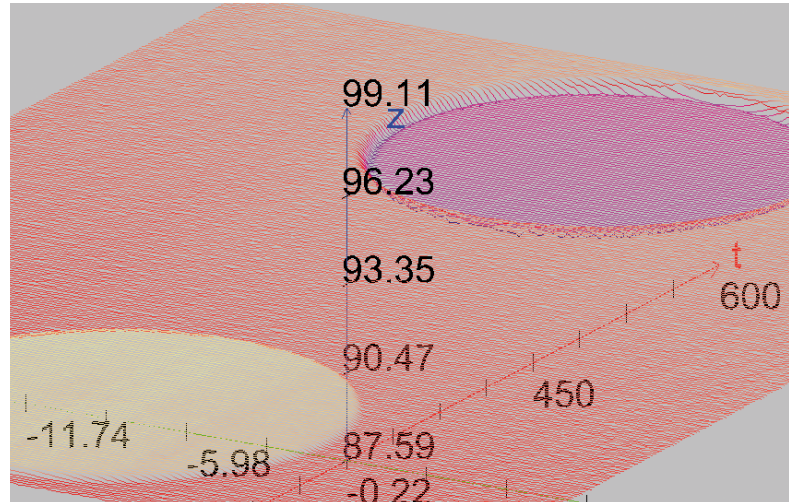
Intensity

Visible range: x: [-14.523; 15.323] mm; y: [0.000; 39.735] mm; z: [80.226; 90.174] mm

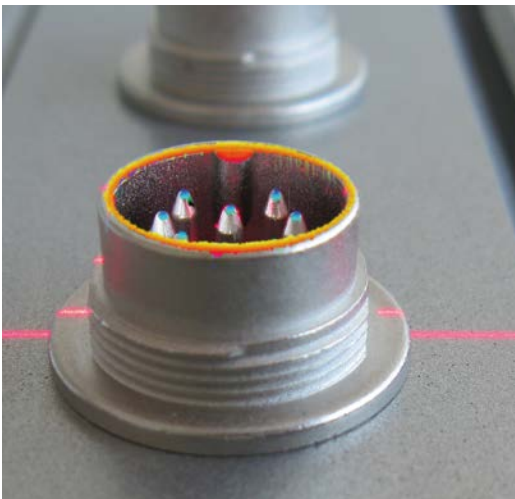




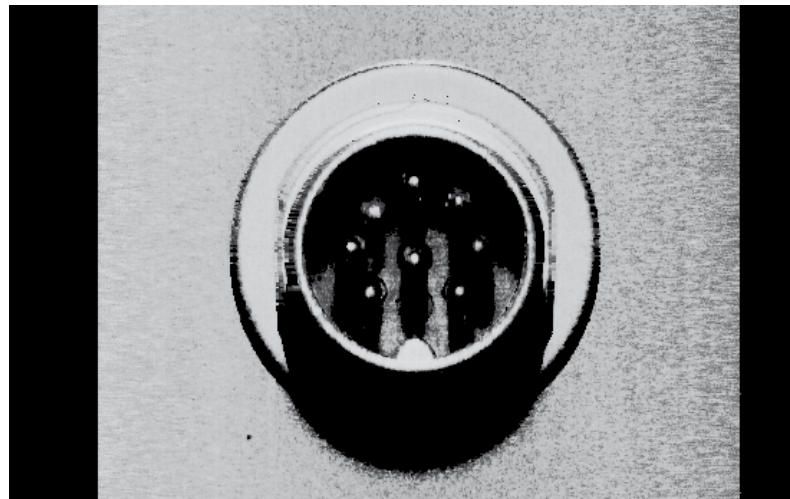
Rivet



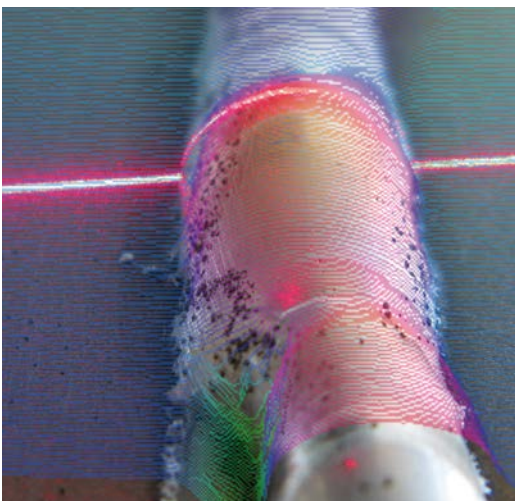
Display mode: „3D view lines“; Colour palette „z-coordinates“



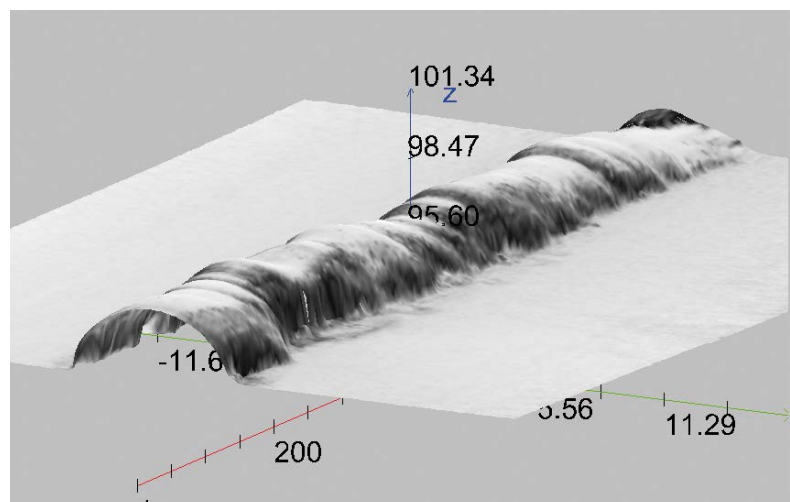
Pin



Display mode: „2D view“; Colour palette „intensity“



Weld seam



Display mode: „3D view triangles“; Colour palette coding „intensity“



The scanCONTROL COMPACT and HIGH SPEED sensors record a profile from individual calibrated points for each measurement. These profiles can be used individually or combined in a container set, and transferred to customer applications as an array or matrix. In addition to the data transfer of individual measuring points and their additional information (e.g. intensity, counter reading) the entire configuration of the sensor can also be controlled from its own application software.

Micro-Epsilon provides a number of interfaces to access the parameter and data transfer functions. The transmission interface primarily used by LLT sensors for communications and profile transfer is Ethernet.

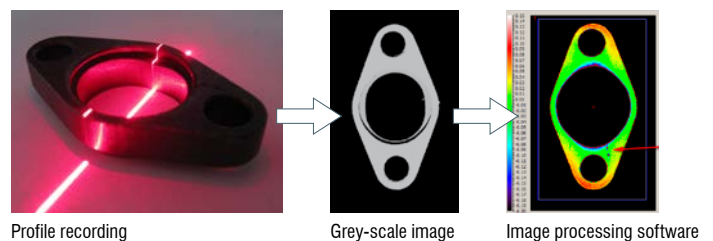
#### Ethernet and GigE Vision

The scanCONTROL with Ethernet interface complies with the GigE Vision (gigabit Ethernet for machine vision) standard of the AIA (Automated Imaging Association).

The standard is widely used in the image processing industry and is therefore supported by all conventional computer vision tools, ensuring fast and smooth integration into different image processing software packages - also for 3D evaluation.

GigE Vision ensures optimum data security, perfect performance and short design-in times during implementation. GigE Vision is based on gigabit Ethernet and offers a maximum transfer rate. Ethernet technology offers advantages such as long cable lengths without using repeaters/hubs, and it permits the use of inexpensive network components. The GigE Vision standard provides an open framework for data transmission (e.g. profiles, data sets) and control signals between scanCONTROL and a PC. The infrastructure topology provides numerous opportunities for single and multiple scanner applications.

**GigE**<sup>®</sup>  
VISION



Profile recording

Grey-scale image

Image processing software

### Integration with the C/C++ library

The C/C++ library for scanCONTROL supports both static and dynamic loading. Both stdcall and cdecl are supported as calling conventions. The individual functions of the library are clearly documented in the interface description and explained using examples.

The scanCONTROL SDK integration package includes:

- the LLT.DLL library file
- Interfaces and scanCONTROL documentation
- Interface for C#
- numerous programming examples for C++, e.g. for trigger and container mode
- Tool DeveloperDemo.exe for quick testing of the sensor configuration.

**SetFeature ()**

```
int
LLTI.SetFeature(uint pLLT, uint Function, uint Value);
```

Setzen des Parameters einer Eigenschaft.

Parameter	Device Handle
pLLT	Device Handle
Function	Registeradresse der Funktion (FEATURE)
Value	Zu schreibender Wert

**Rückgabewert**

Standard	Spezifisch
ERROR_SE	FEATURE
-FEATURE	

```
// Struct necessary for defining the partial profile
LLTI.PartialProfile PartialProfile;

// Allocate buffer
double[] adValueX = new double[m_uResolution];
double[] adValueZ = new double[m_uResolution];
byte[] abyTimeStamp = new byte[16];

// Set the partial profile structure
PartialProfile.nStartPoint = 20; // Offset 20 -> start at the 21th point of the profile
PartialProfile.nStartPointData = 4; // Startpoint 4 bytes -> location of X and Z
PartialProfile.nPointCount = m_uResolution / 2; // transmit half the resolution
PartialProfile.nPointDataWidth = 4; // 4 bytes -> X and Z (2 bytes each)

// Allocate buffer
byte[] abyProfile = new byte[PartialProfile.nPointCount * PartialProfile.nPointDataWidth];

// Set the part
PartialProfile.nPointCount = 10;
Console.WriteLine("SetFeature: uint PartialProfile.nPointDataWidth");
if ((RetVal = LLTI.SetFeature(pLLT, "PARTIALPROFILE", PartialProfile)) < LLTI.GENERAL_FUNCTION_OK)
{
    OnError("SetFeature: uint PartialProfile.nPointDataWidth");
    return false;
}
```

### Integration with LabVIEW

The LabVIEW scanCONTROL instrument driver supports fast integration of scanCONTROL sensors into the LabVIEW application environment. For accessing a scanCONTROL sensor and its basic settings, users can drag-and-drop modules directly from the function palette into their VI. Example VIs that illustrate scanCONTROL integration are also included in this package.

The integration of scanCONTROL sensors into the LabVIEW environment is based on the C/C++ library (LLT.DLL) of Micro-Epsilon. Detailed documentation also shows how to set up additional special sensor parameters.

### Integration with Linux

The integration into Linux is performed using an Open Source C library which has been extended by some important control features for scanCONTROL. An additional C++ library enables fast sensor integration of the entire functionality into a user-friendly API.

This library is based on the GigE Vision or GenICam standard which is why the sensor can be controlled either via GenICam commands or directly via the control parameters listed in the documentation. For integration support (e.g. trigger, container mode), also some example programs are available.

## High performance sensors made by Micro-Epsilon



Sensors and systems for displacement and position



Sensors and measurement devices for non-contact temperature measurement



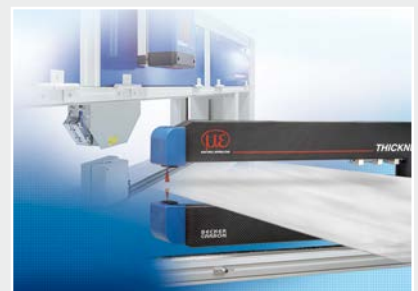
2D/3D profile sensors (laser scanner)



Optical micrometers, fibre optic sensors and fibre optics



Colour recognition sensors, LED analyzers and colour online spectrometer



Measurement and inspection systems



MICRO-EPSILON Headquarters  
Koenigbacher Str. 15 · 94496 Ortenburg / Germany  
Tel. +49 (0) 8542 / 168-0 · Fax +49 (0) 8542 / 168-90  
info@micro-epsilon.com · [www.micro-epsilon.com](http://www.micro-epsilon.com)

MICRO-EPSILON UK Ltd.  
No.1 Shorelines Building · Shore Road · Birkenhead · CH41 1AU  
Phone +44 (0) 151 355 6070 · Fax +44 (0) 151 355 6075  
info@micro-epsilon.co.uk · [www.micro-epsilon.co.uk](http://www.micro-epsilon.co.uk)